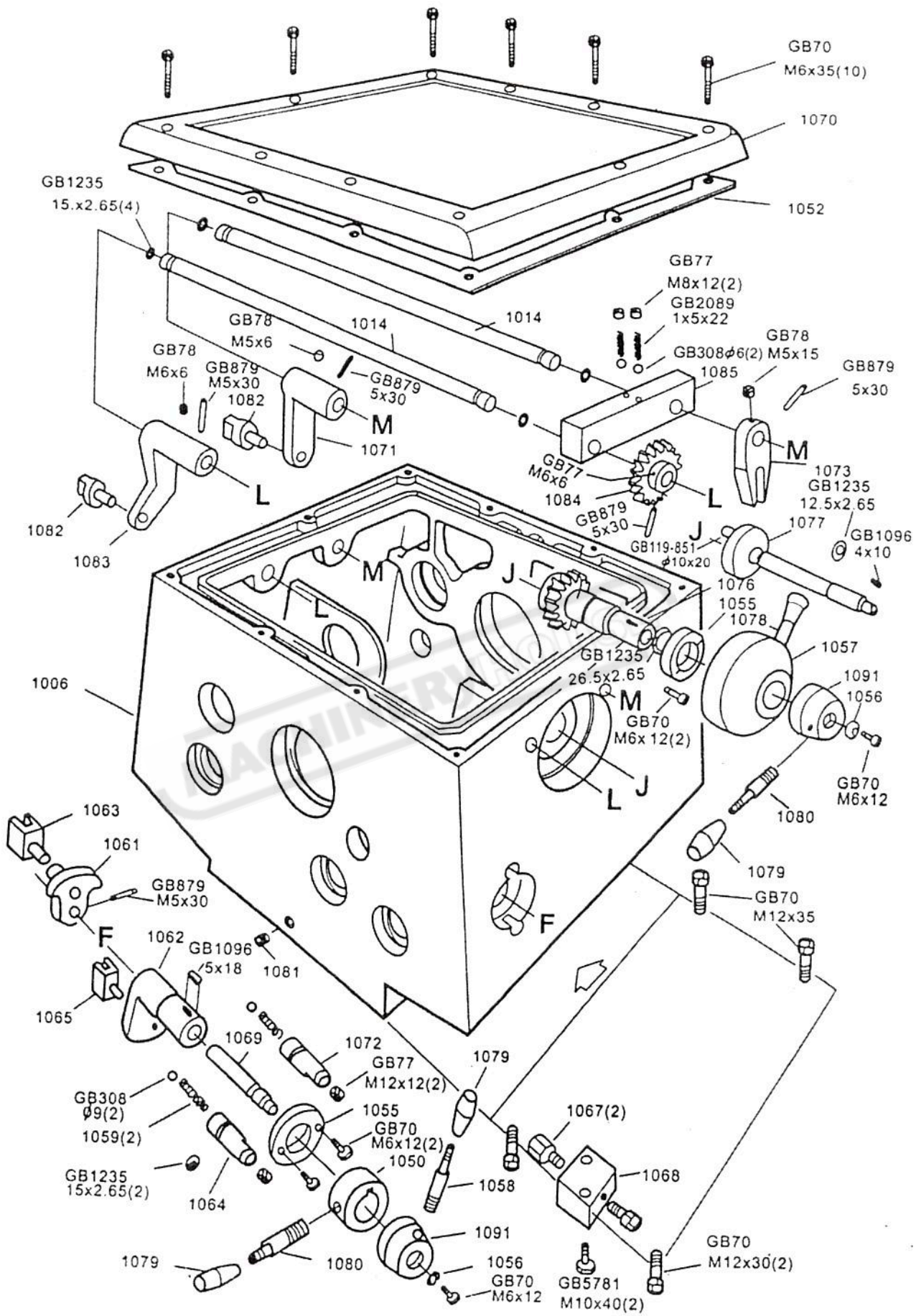
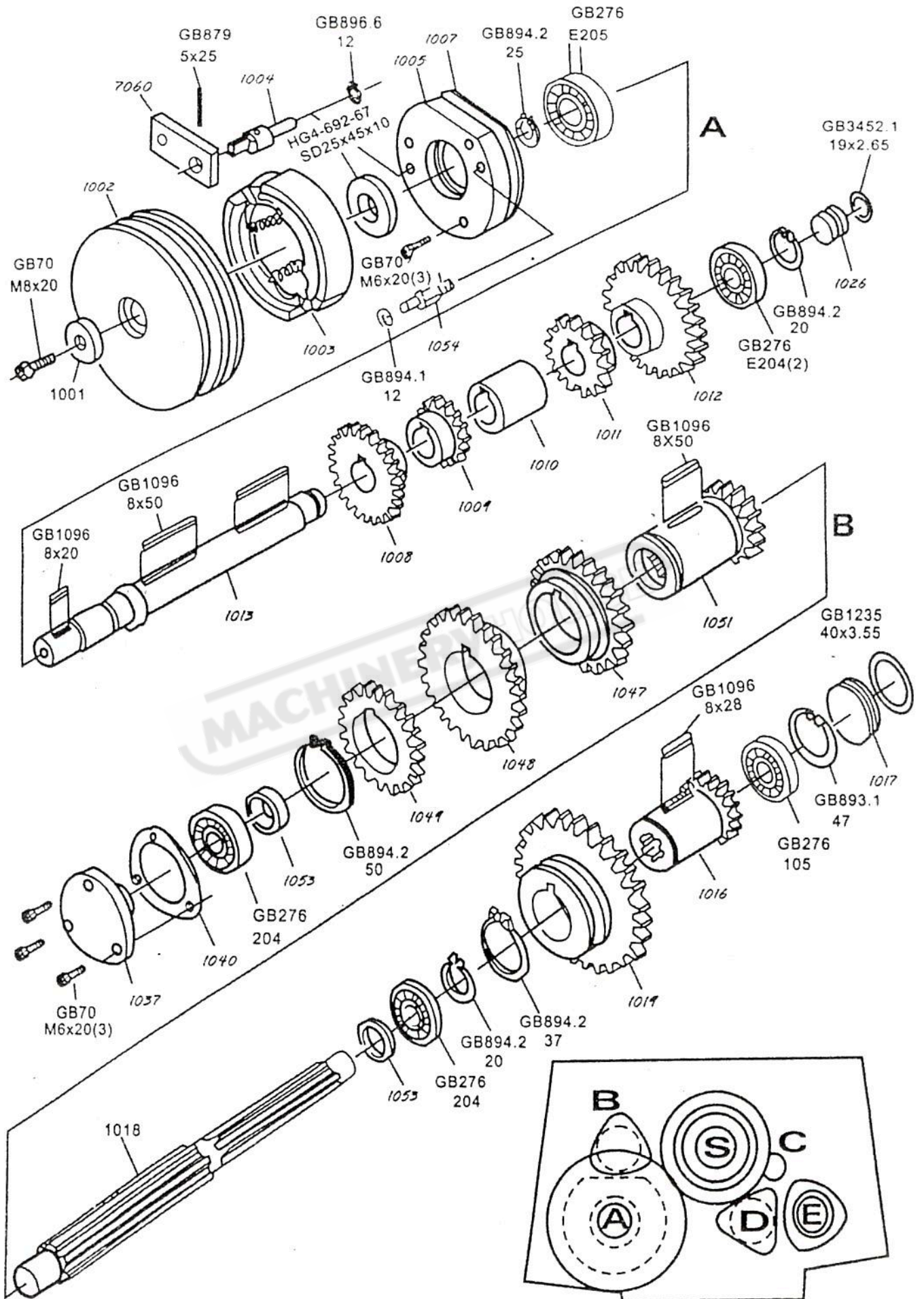


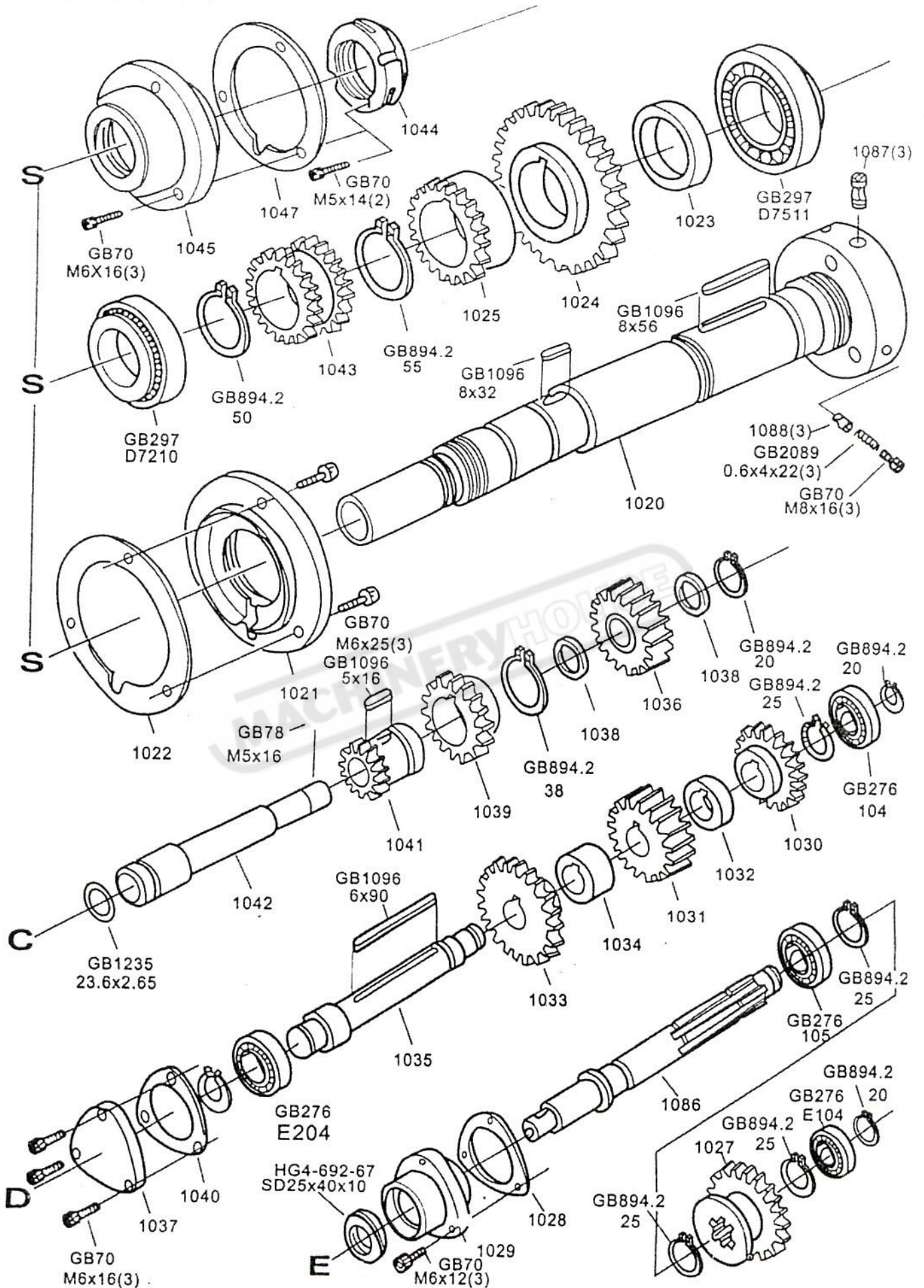
# HEADSTOCK



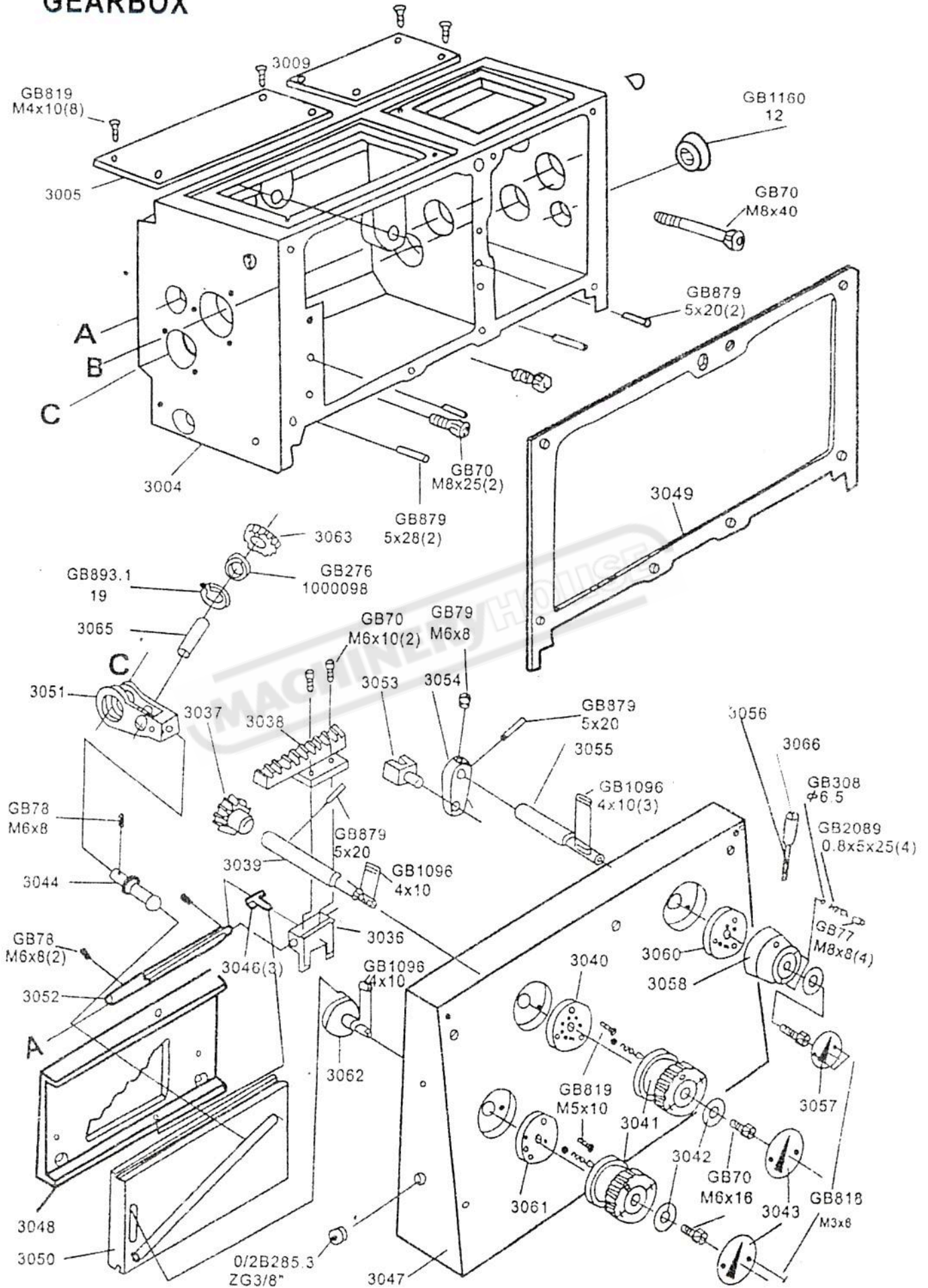
# HEADSTOCK



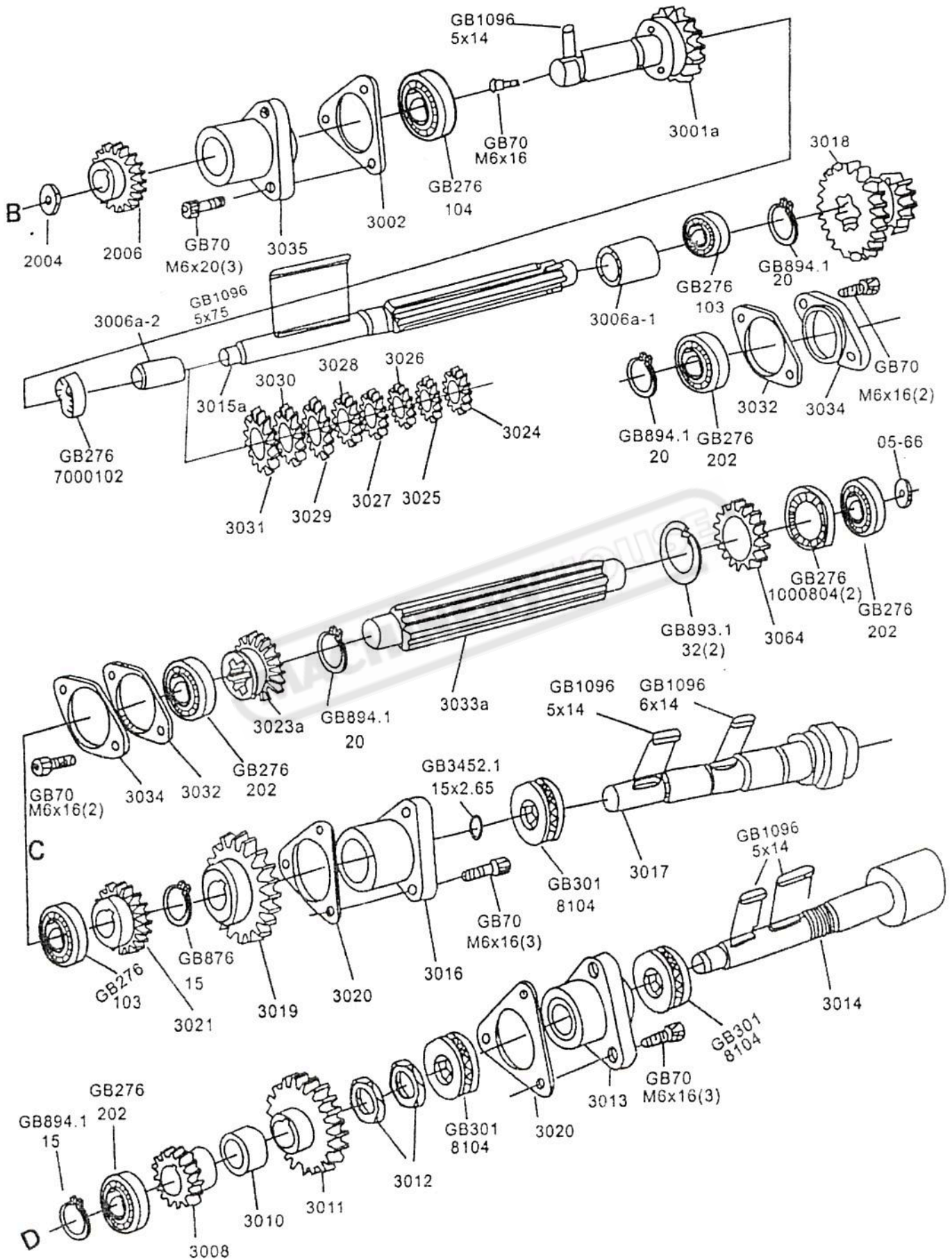
# HEADSTOCK



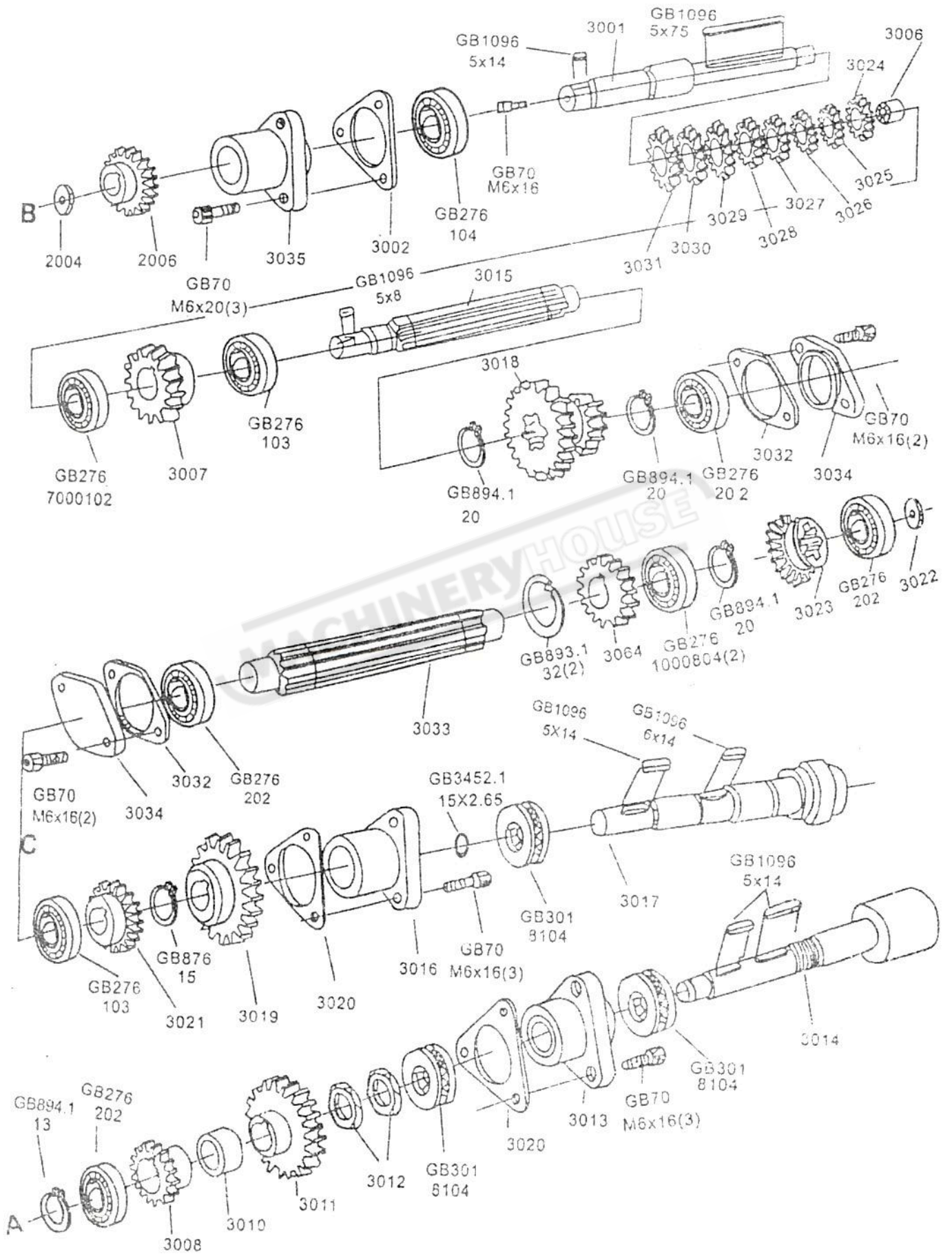
# GEARBOX



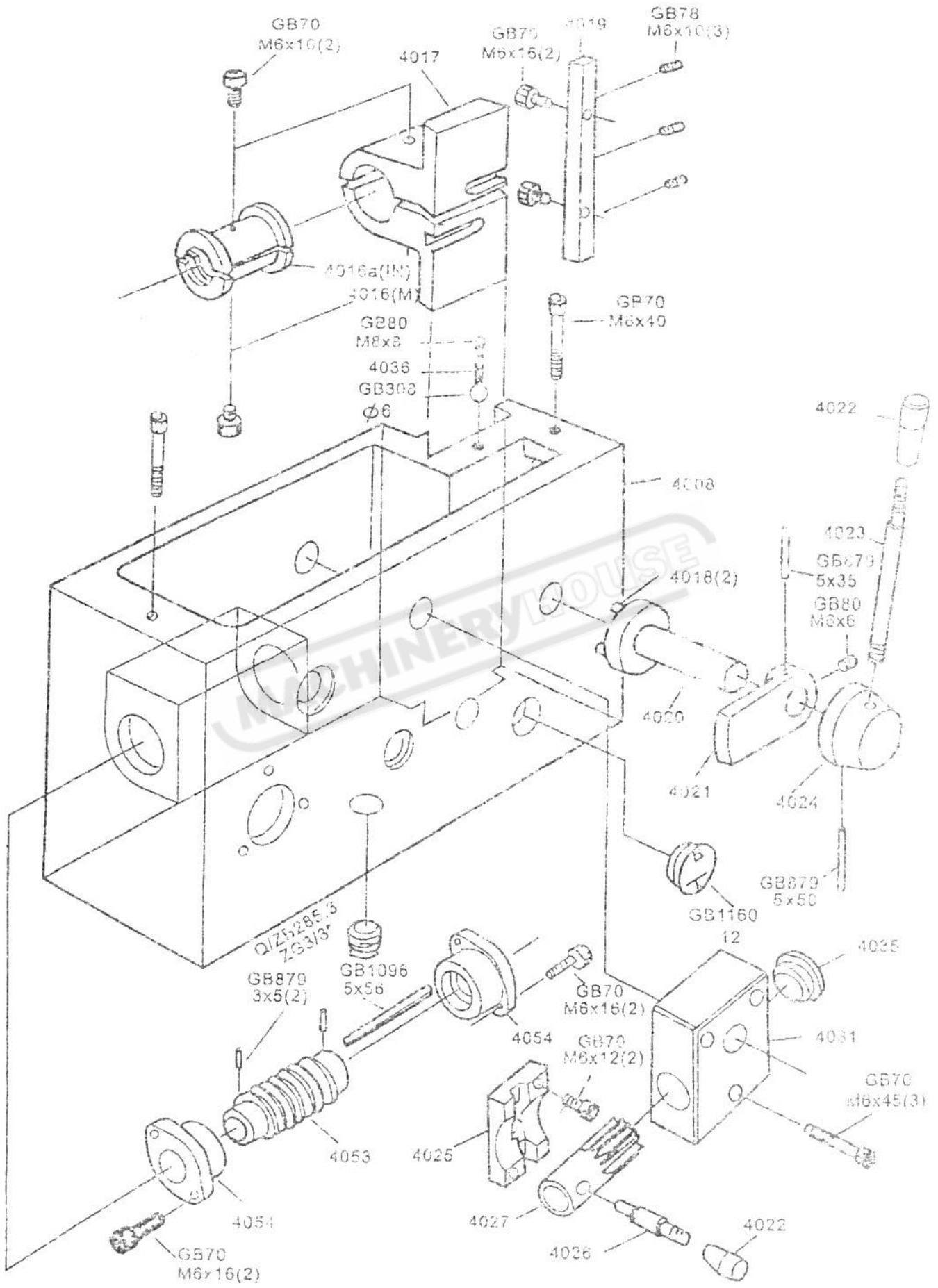
# GEARBOX Inch system



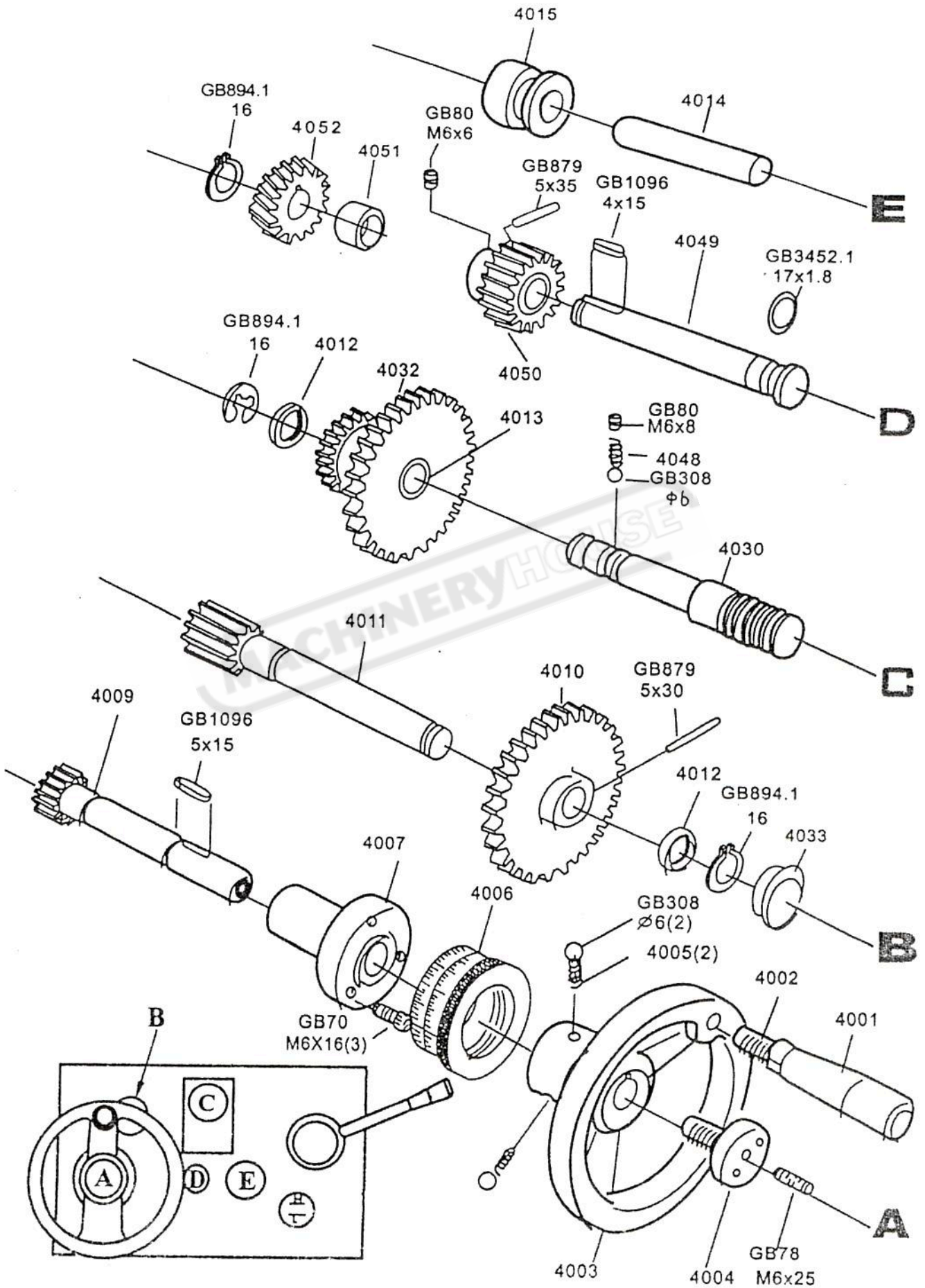
# GEARBOX Metrit system



# APRON Left hand, Lever type



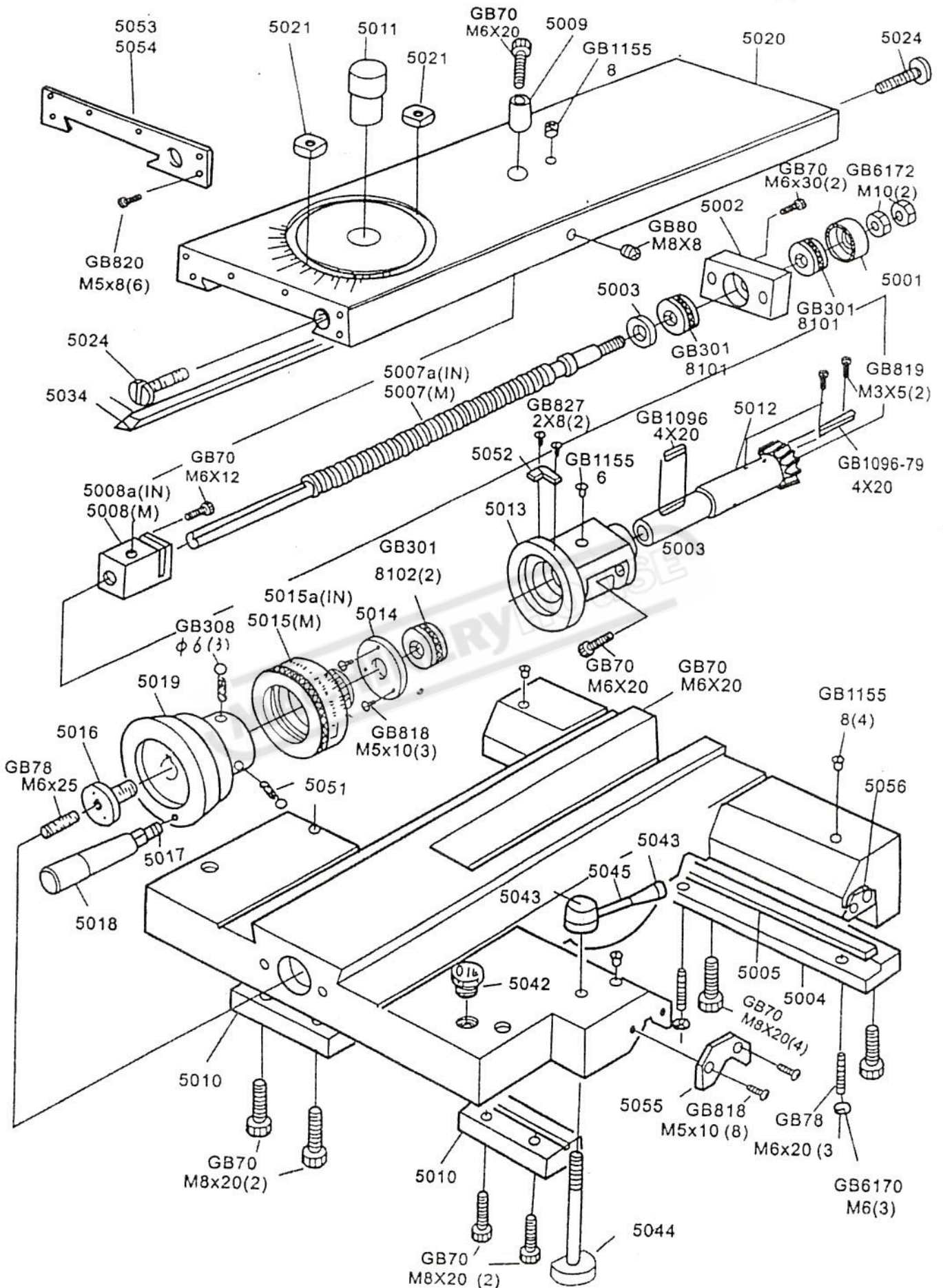
# APRON Left hand, Lever type



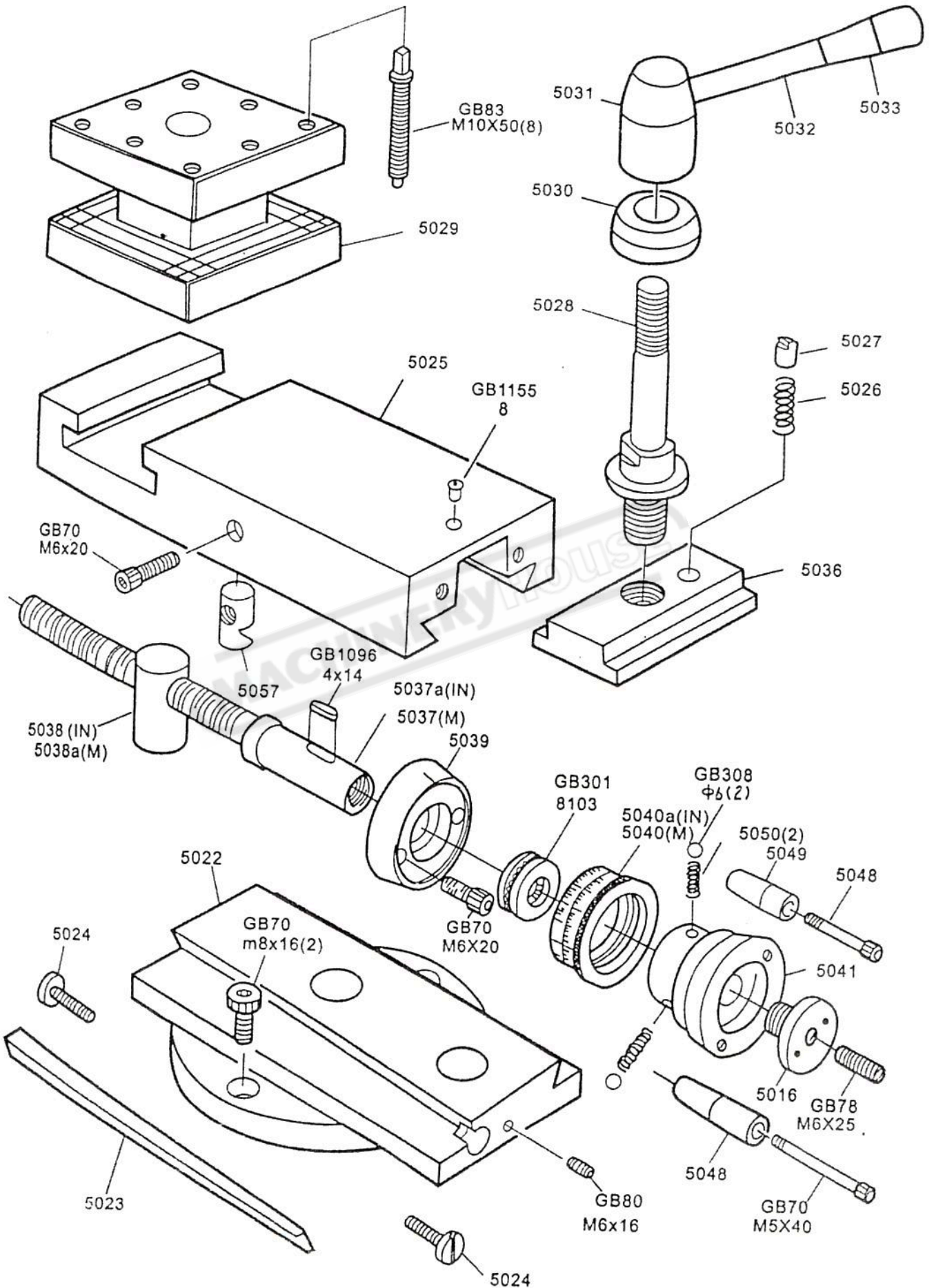


# SADDLE & CROSS-SLIDE

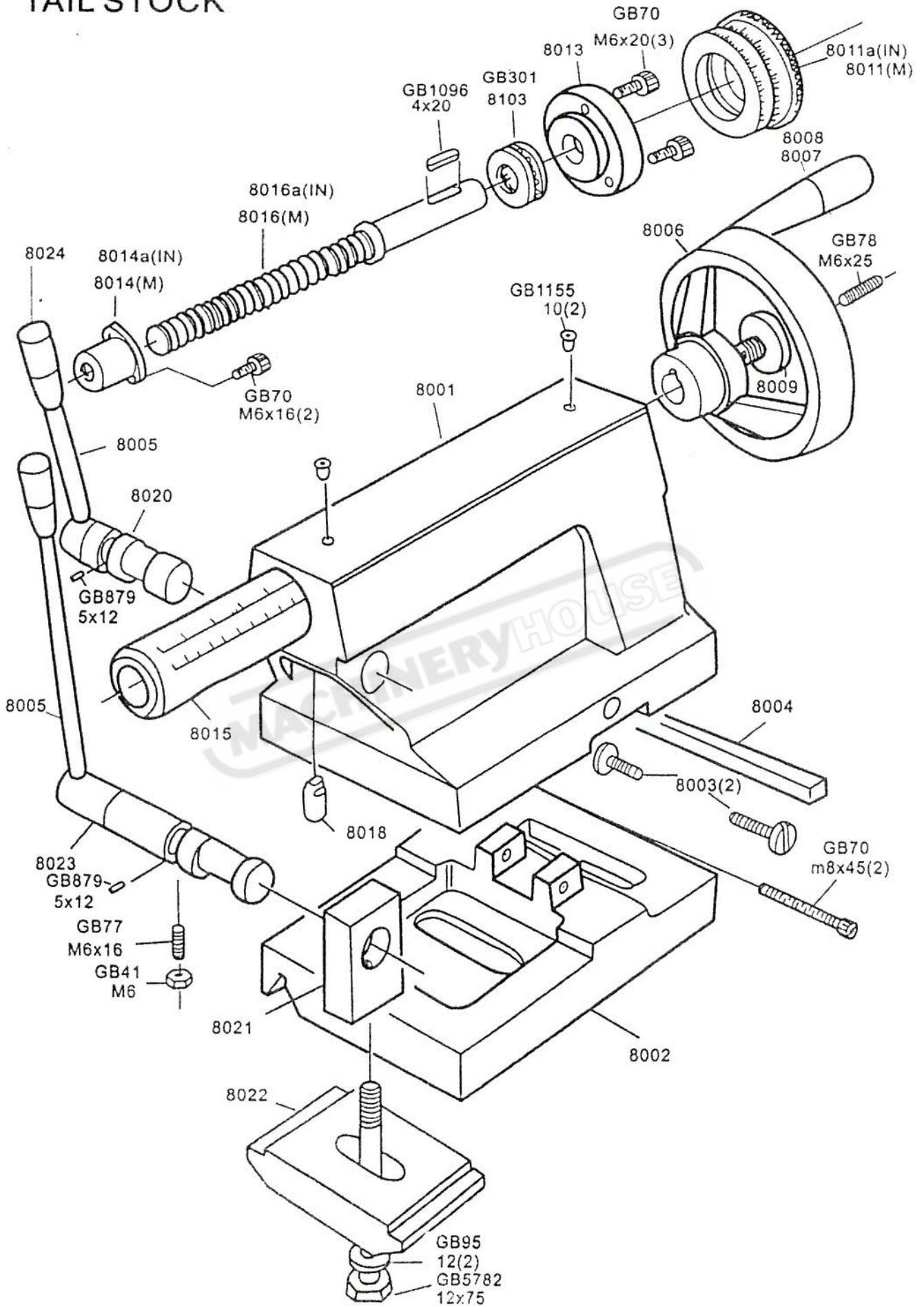
## Telescopic type



# TOP SLIDE, TOOL POST

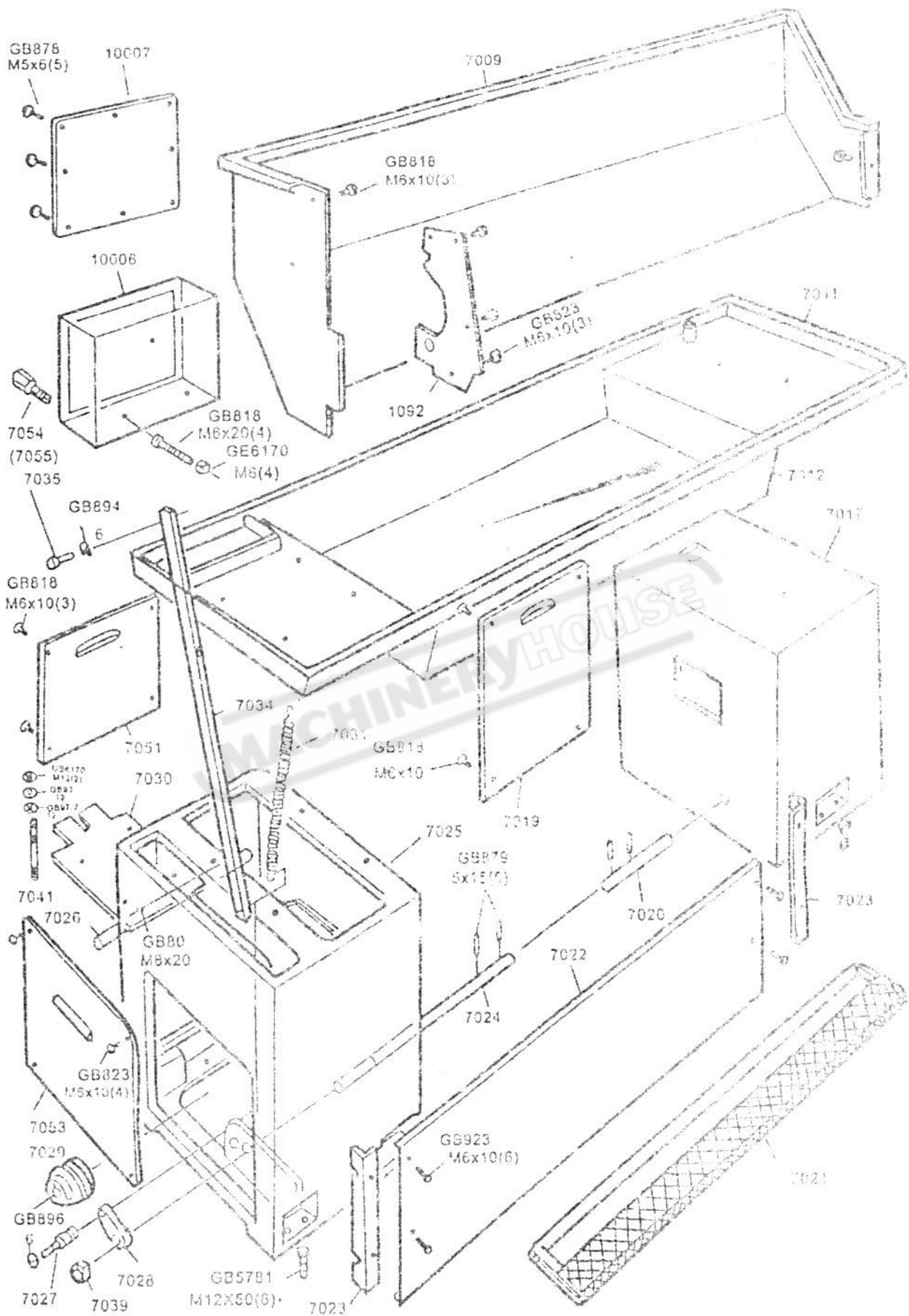


# TAIL STOCK



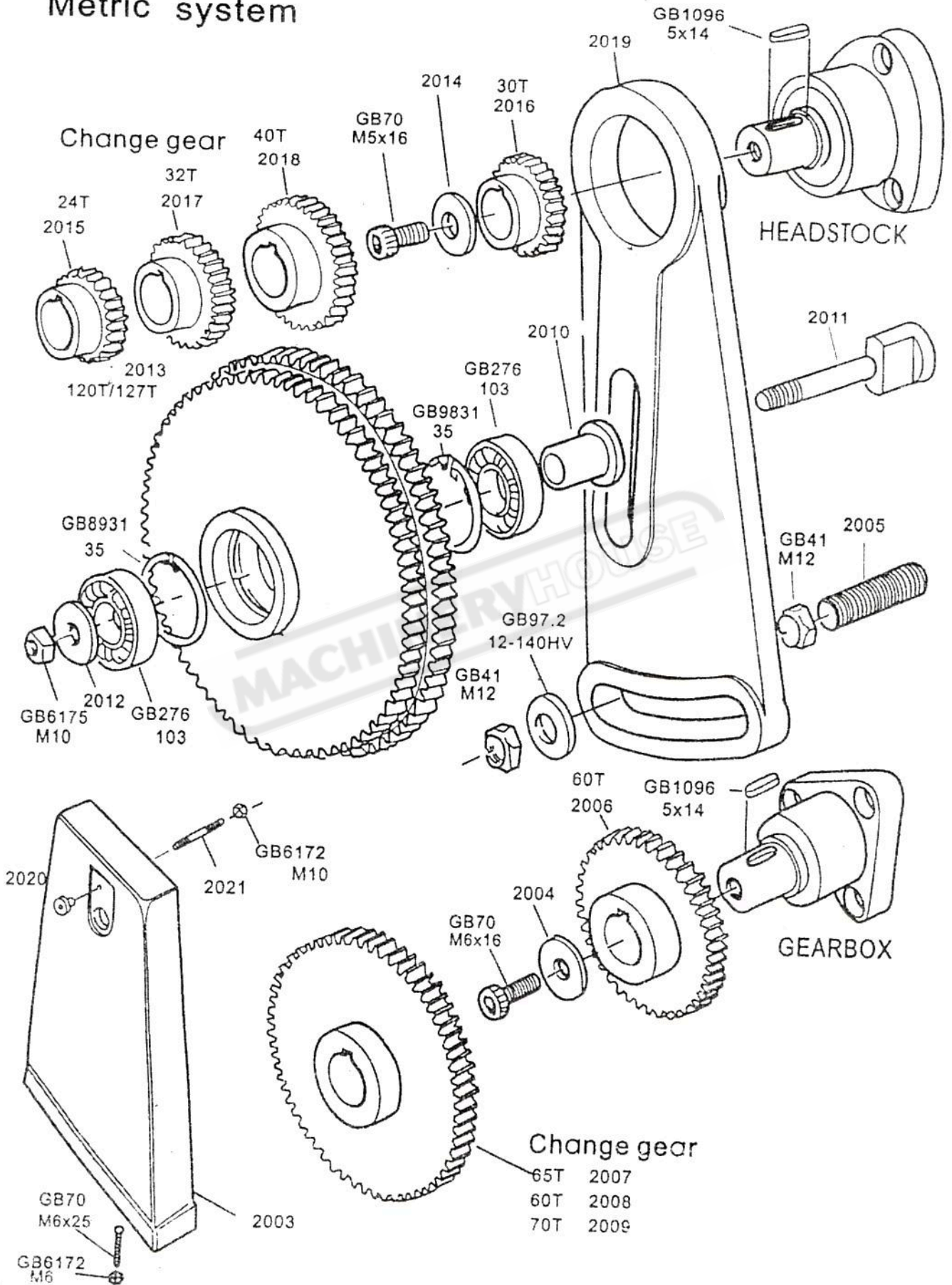


# CABINET & PANELS



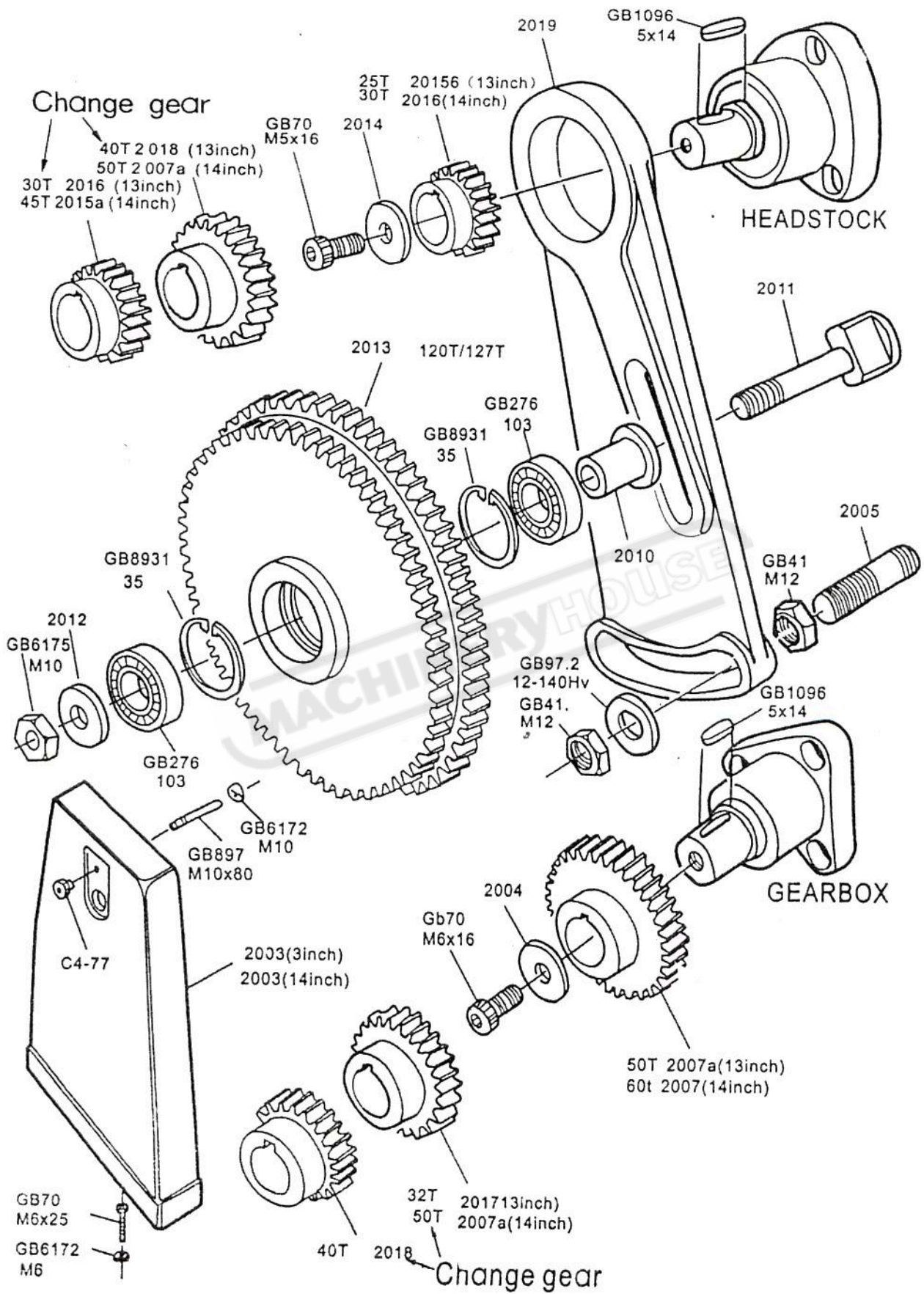
# SWING FRAME, END GEARS & COVER

Metric system

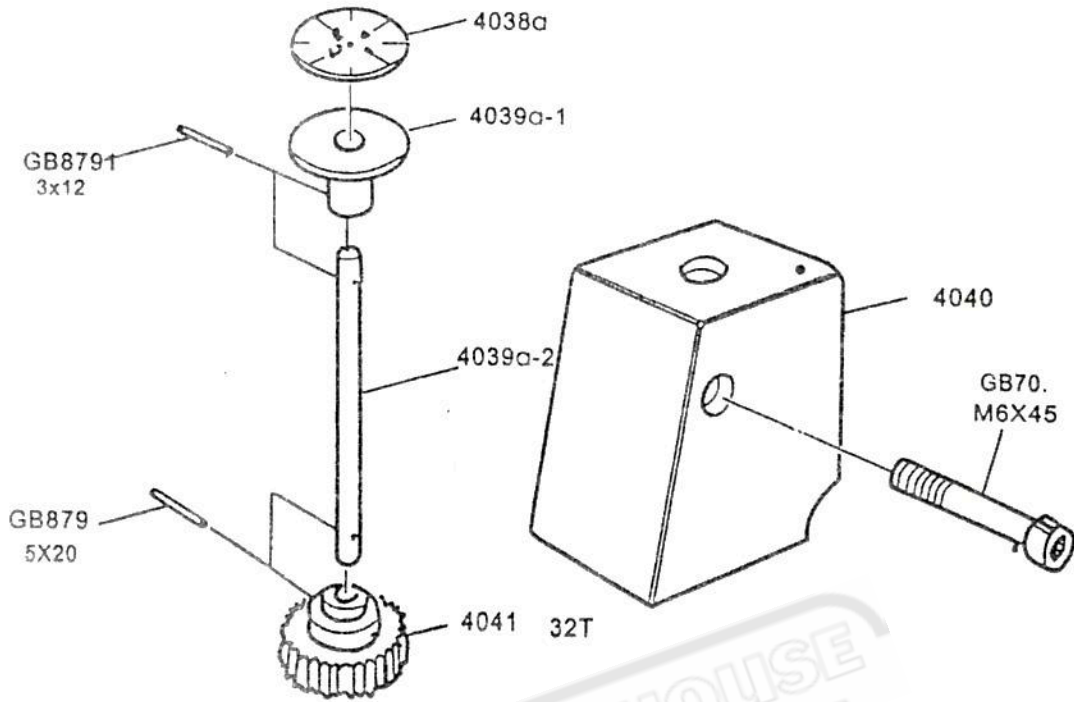


# SWING FRAME. END GEARS & COVER

## Inch system



# THREADING DIALS INCH



# MM

